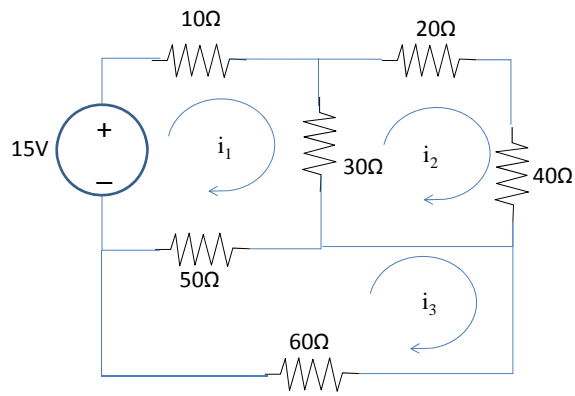
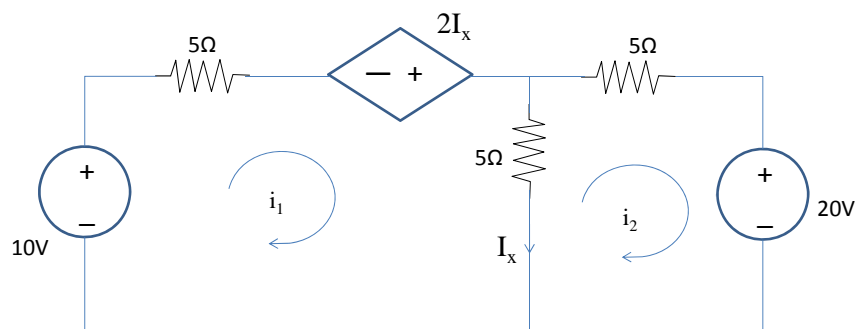
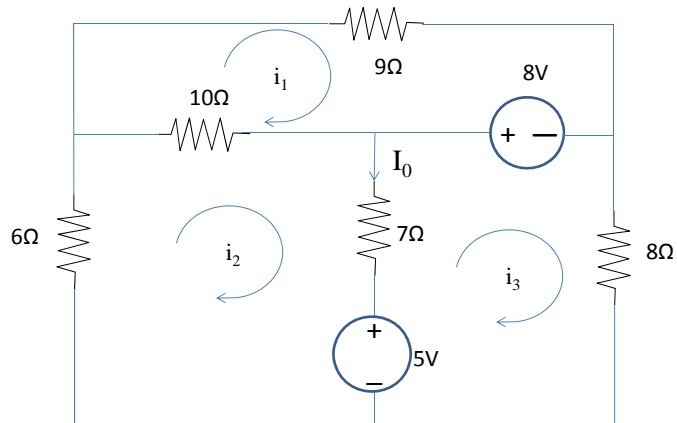


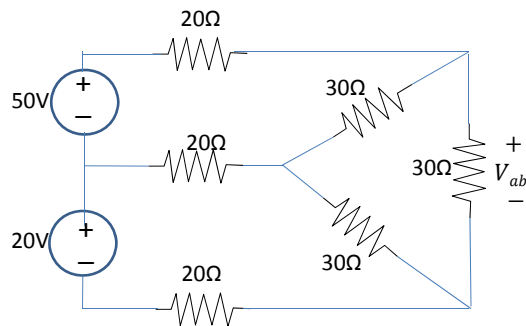
Problem 1Find the mesh currents i_1 through i_3 **Problem 2**Use mesh analysis to find I_x 

Problem 3

Find I_0 in the following circuit.

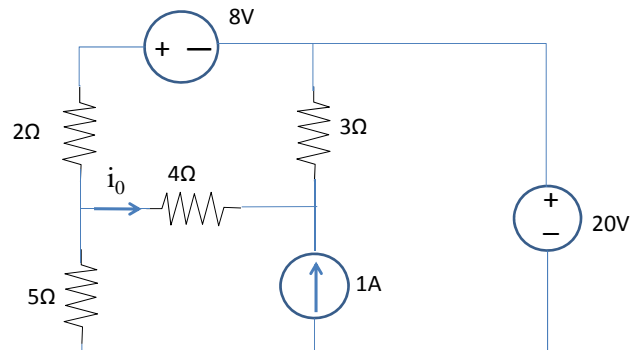
**Problem 4**

Use mesh analysis to find V_{ab} .

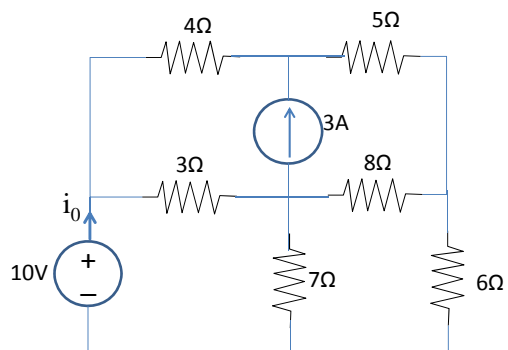


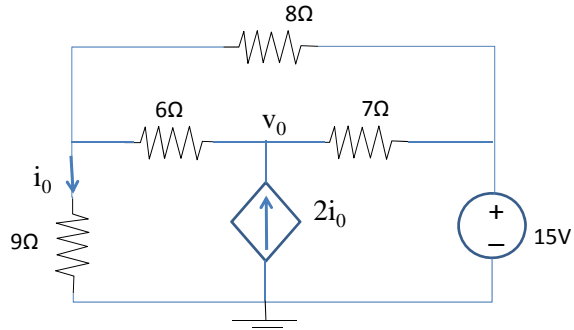
Problem 5

Use mesh analysis to find i_0 .

**Problem 6**

Determine i_0 in the following circuit.



Problem 7Calculate V_0 and i_0 .**Problem 8**Calculate V_x and i_x .