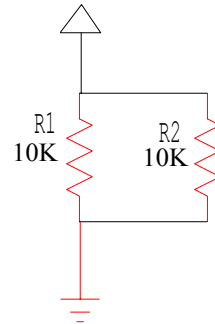


Resistor Problems
Homework #1

All Power Supplies are +15V

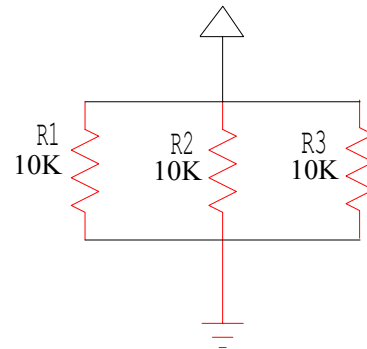
Problem #1

	I	E	R
R1			
R2			
Total			



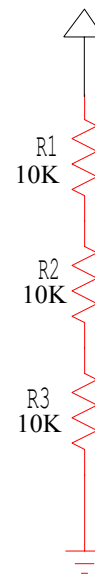
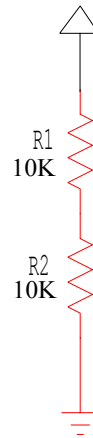
Problem #2

	I	E	R
R1			
R2			
R3			
Total			



Problem #3

	I	E	R
R1			
R2			
Total			

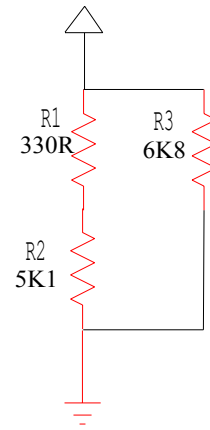


Problem #4

	I	E	R
R1			
R2			
R3			
Total			

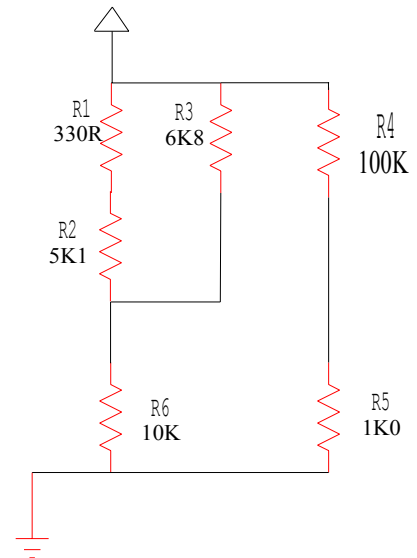
Problem #5

	I	E	R
R1			
R2			
R3			
Total			



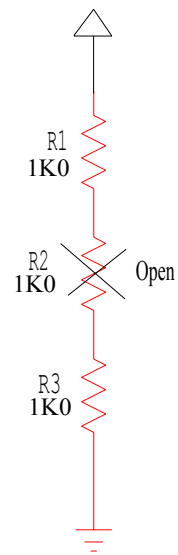
Problem #6

	I	E	R
R1			
R2			
R3			
R4			
R5			
R6			
Total			



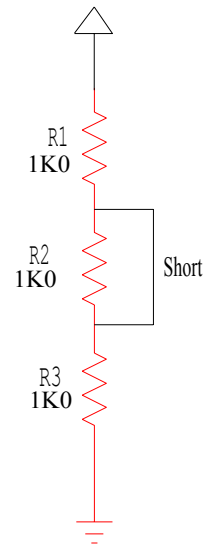
Problem #7

	I	E	R
R1			
R2			
R3			
Total			



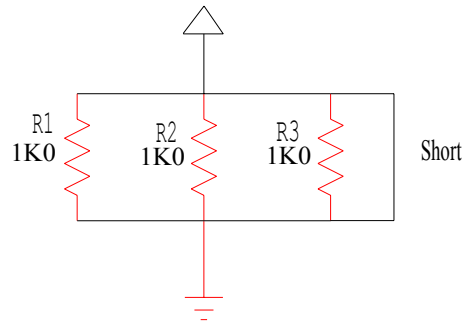
Problem #8

	I	E	R
R1			
R2			
R3			
Total			



Problem #9

	I	E	R
R1			
R2			
R3			
Total			



Problem #10

	I	E	R
R1			
R2			
R3			
Total			

